



JEXKO  
MINICRANE  
SPX532

**CJEXKO**  
**SPX532**

Product Catalog

**SPX**

# SPX532

MAX 3200 kg

3120 x 770 x 1950 mm

max 17,3 m with jib

max 14,8 m with jib

The user-friendliest crane ever, featuring the most advanced stability system. A top level performance is ensured with this new generation mini crane.

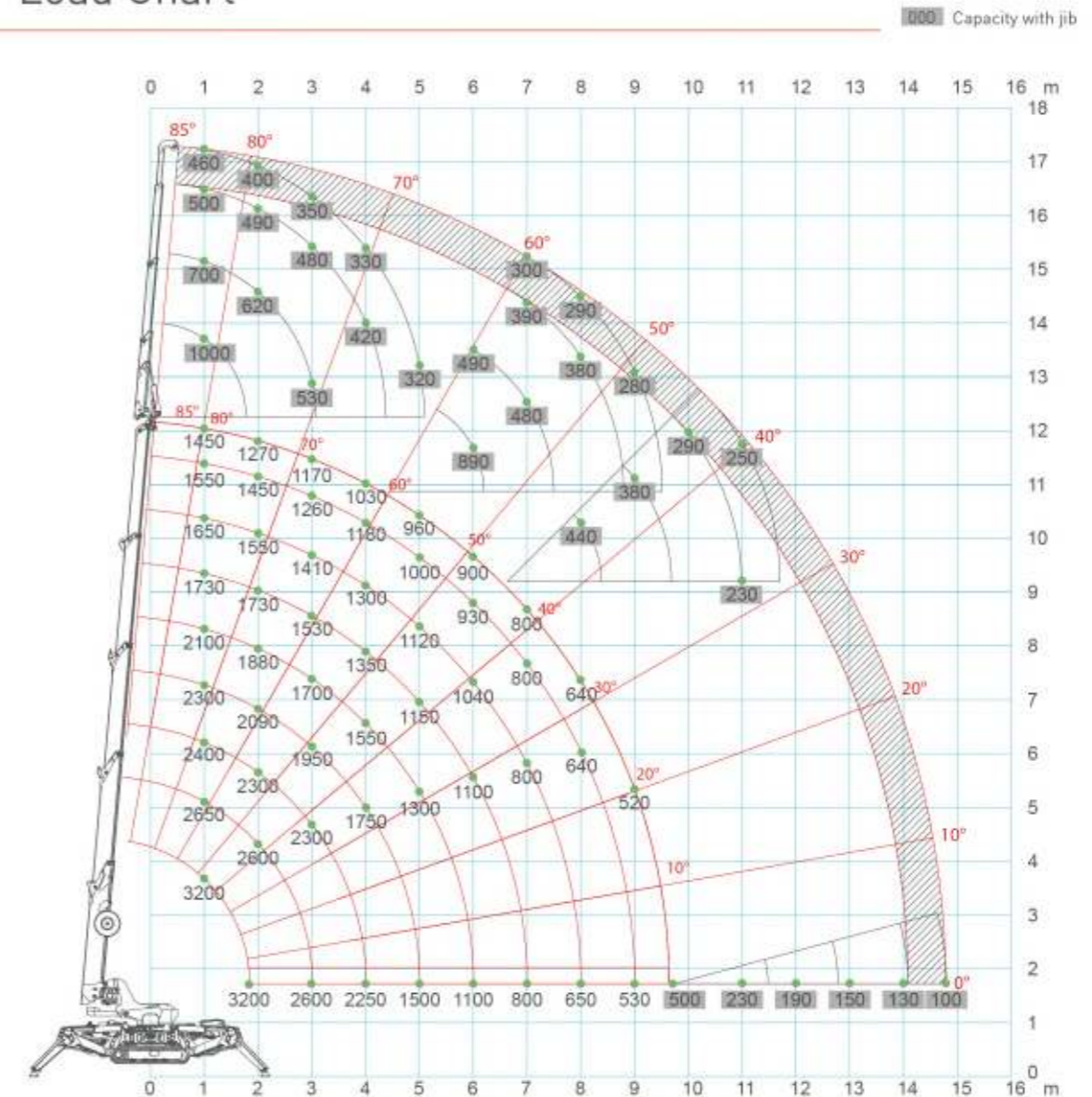


## Technical Information

Dimensions	3120 x 770 x 1950 mm
Stk. Area	4400 x 4400 mm
Crane & Operator Weights	Kg
	SPX532CDH 2320
	/ 200
	Multiple Fall 40
	JIB 200
SPX32	Direct Engine KUBOTA D902-E4B 16.1 kW 22 Hp
	Speed  2.7 km/h (CDH)
Stability  20° (36%)	
Ext. Track  770-1050 mm	



## Load Chart



## Crane Options

**Lithium Battery Options**

- BP-LT-SPX532

**Battery Chargers**

- BC3-220V60A
- BC3-110V60A

**J-Connect**

- J-CON
- J-CON-Y2

**Electric Power Pack**

- PP220-4.B
- PP200-2.B

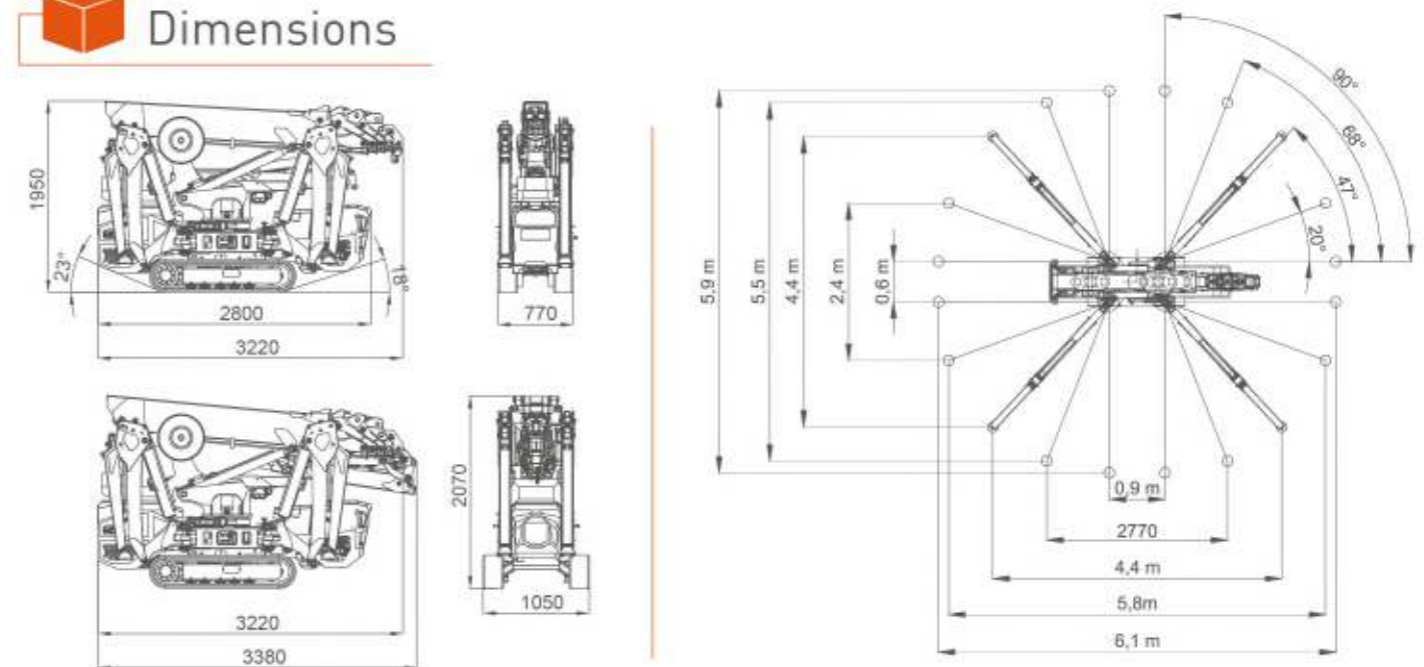
W800.6 + 2.5T-D7

OM400.1

**Attachments & Tools**

- JIB1000GX
- JIB1000.2H1MX
- QC-MV600.R
- MV600.R + Steel Holder

## Dimensions





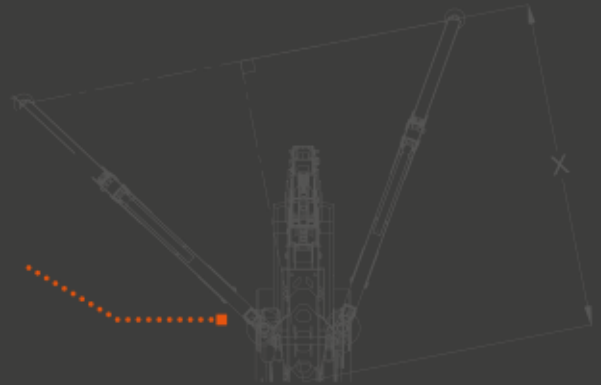
A NEW GENERATION OF MINI CRANES

# SPX532 Main Features

THE BEST PERFORMING MINI CRANE IN ITS RANGE WITH A UNIQUE WEIGHT-DIMENSIONS-LIFTING CAPACITY RATIO.

## INTUITIVE AND EFFECTIVE STABILIZATION SYSTEM

The outriggers can be opened **from 0° to 90°** creating infinite stabilization combinations. With **4 stabilization areas**, the crane can now work in conditions that would **have never been possible before**.



## HYDRAULIC JIB - 1 ton

The Jib can be **easily installed** thanks to an **innovative attachment system** from a support inside the main column.

## RADIO REMOTE-CONTROL

SPX532 features a **brand new radio remote-control** with a made in Jekko software that makes this crane extremely easy to use and **the user-friendliest crane ever**.



## NEW HYDRAULIC SYSTEM

An improved hydraulic system allows the crane to work with more **fluid and precise movements**, giving a **better feeling to the operator**.

Selecting the proper configuration on the radio remote-control, the crane is able to **adapt to the job** that is being carried out, ensuring **greater efficiency and higher energy saving**.



Jekko srl

Via Campardone, 1 - 31014 Colle Umberto (TV) Italy  
info@jekko.it - www.jekko-cranes.com